

htc®



VIVE®

VIVE Wrist Tracker User Guide

Contents

Introduction

About VIVE Wrist Tracker	4
What's inside the box?	4
Components	5
Status LEDs	5

Basics

Charging VIVE Wrist Tracker	6
Wearing VIVE Wrist Tracker	7
Turning VIVE Wrist Tracker on or off	8
Pairing and calibrating VIVE Wrist Tracker	8
Updating the VIVE Wrist Tracker firmware	10
Replacing the wrist straps on VIVE Wrist Tracker	11

Solutions and FAQs

Troubleshooting VIVE Wrist Tracker	13
Why does VIVE Wrist Tracker automatically turn off?	13
Why can't I switch to the trackers in my VIVE Focus 3?	13
Can I use more than one tracker at the same time?	13
Can I use a tracker and a controller at the same time?	13

Trademarks and copyrights

About this guide

The following symbols indicate useful and important information.



Notes provide details on setup, answers to common questions, and information on what to do in specific situations.



Tips provide supplemental information or alternative methods you may find helpful for particular steps or procedures.



Important notes provide information needed to complete certain tasks or configure specific settings or features.



Warnings provide critical information for avoiding potential problems or preventing damage to hardware.

Introduction

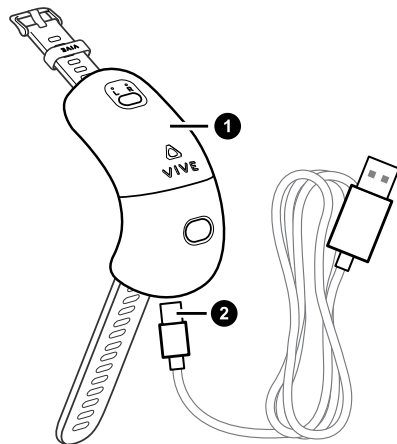
About VIVE Wrist Tracker

VIVE Wrist Tracker improves the accuracy and stability of the hand tracking feature on VIVE Focus 3.

VIVE Wrist Tracker provides an extra tracking point for VIVE Focus 3 to accurately determine the position of your hands while using hand tracking. In addition to assisting hand tracking, VIVE Wrist Tracker can be used for object tracking. When attached to an object, VIVE Wrist Tracker provides VIVE Focus 3 with a 6-DoF object pose estimation of the object in VR. VIVE Wrist Tracker can also upgrade any 3 DoF device (such as a VR controller) to 6 DoF, giving you more freedom to explore and interact with your VR environment. You can use VIVE Wrist Tracker with a variety of different tools and peripherals to assist in a multitude of applications, including professional training and sports science.

What's inside the box?

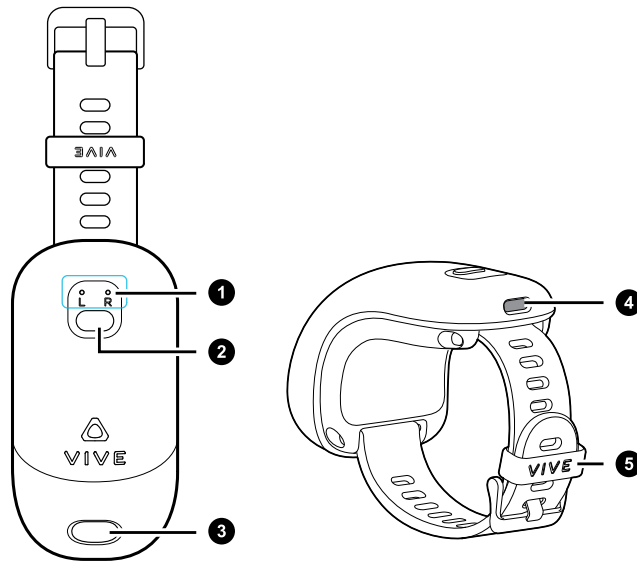
The VIVE Wrist Tracker package contains the following items:



- | | |
|----------|----------------------------|
| 1 | VIVE Wrist Tracker |
| 2 | USB Type-C® charging cable |

Components

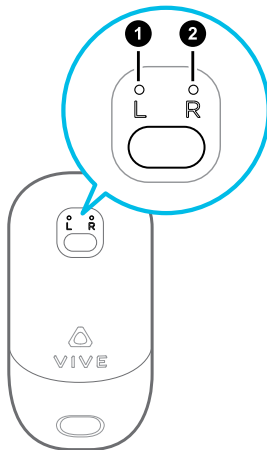
The VIVE Wrist Tracker components are listed below.



1	Status LEDs	4	USB Type-C charging port
2	Power button	5	Detachable wrist strap
3	App button	-	-

Status LEDs

The VIVE Wrist Tracker LEDs indicate the status of the tracker and which side it's paired on.



Status	LED behavior
Low battery	Blinks red
Charging	Solid amber
Fully charged	When connected, solid amber to solid green; when not connected, solid amber to solid blue
Pairing	Blinks blue
Connecting	Solid blue
Connected	Solid green
Updating firmware	Blinks blue and red alternately
Standby mode	Off

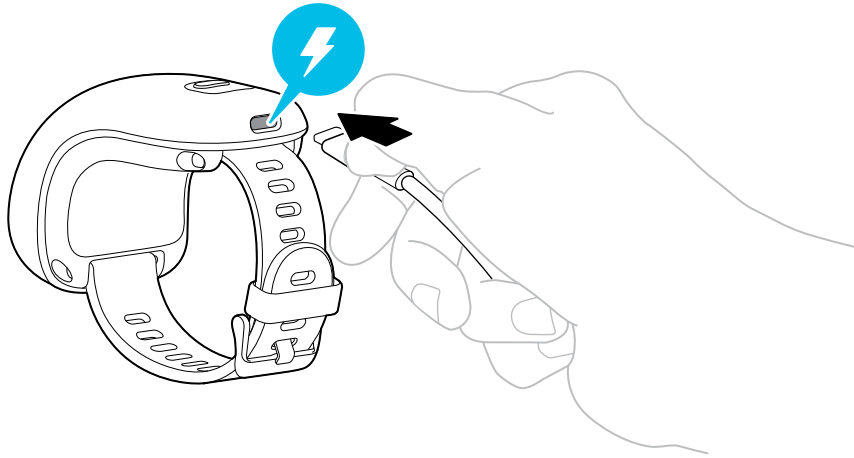
1	Left LED	Tracker is paired on the left
2	Right LED	Tracker is paired on the right

Basics

Charging VIVE Wrist Tracker

Charge VIVE Wrist Tracker using the USB Type-C cable that came in the box.

To charge VIVE Wrist Tracker, connect one end of the USB Type-C charging cable to the tracker and the other end to a power source.

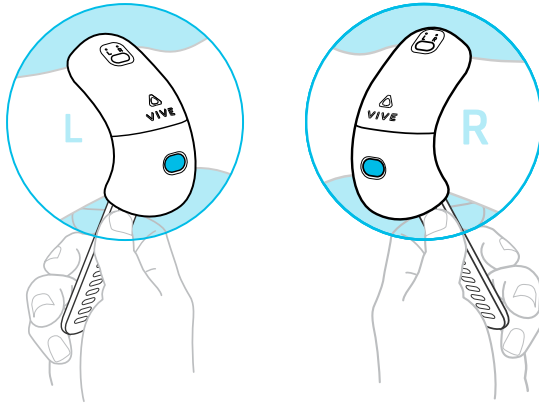


While the tracker is charging, the status LED is solid amber. When the tracker becomes fully charged, the status LED changes from solid amber to either solid blue or solid green, depending on whether the tracker is connected to the headset. For details, see [Status LEDs](#) on page 5.

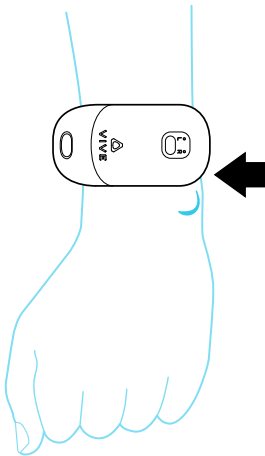
Wearing VIVE Wrist Tracker

VIVE Wrist Tracker is easy to put on and comfortable to wear.

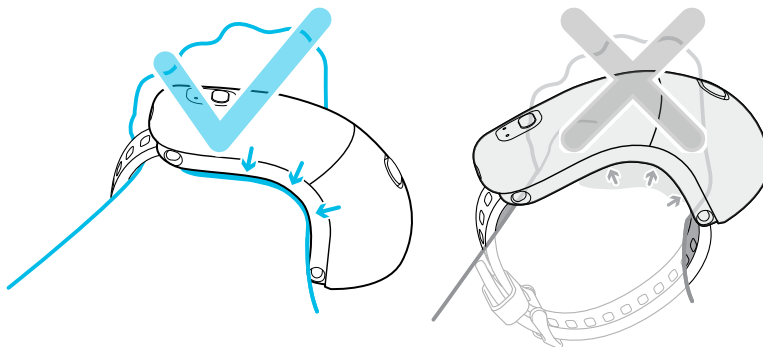
Wrap VIVE Wrist Tracker around your wrist with the App button facing inward.



For comfort and wrist mobility, wear the tracker above your wristbone.

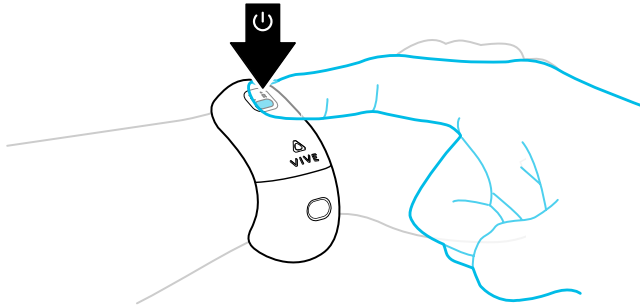


To prevent slippage, make sure the strap is fastened securely around your wrist.



Turning VIVE Wrist Tracker on or off

Press the Power button to turn VIVE Wrist Tracker on or off.



- **Power on:** Press the Power button for 1 second.
- **Power off:** Press and hold the Power button for 5 seconds.

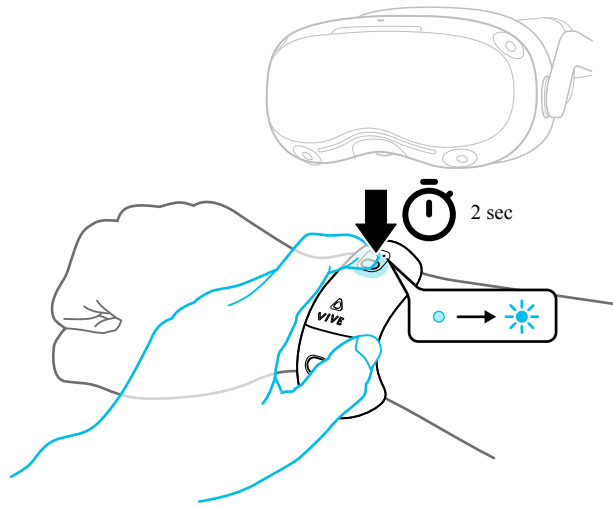
Pairing and calibrating VIVE Wrist Tracker

To get the most out of VIVE Wrist Tracker, it must be calibrated after pairing.

Make sure you're wearing your headset and wrist trackers before performing the following steps.

1. In VIVE Focus 3, go to **Settings > Inputs > Controllers**.
2. Select the input type button "🔍" in the upper right to switch the controller input to the trackers.
The Unpair controllers screen will appear.
3. Select **Continue** to unpair the controllers and turn on hand tracking.
The Pair wrist trackers screen will appear.
4. Place the controllers aside on a flat surface.
5. Press the Power button on the trackers to power them on.

6. Press and hold the Power button again for 2 seconds to initiate pairing mode. Both LEDs will first blink blue, and then the status LED corresponding to the tracker you're pairing will turn solid green.



When both trackers are paired, the Calibrate trackers screen will appear. If you're only pairing one tracker, select **Skip** after the tracker is paired to continue.

7. Select **Calibrate** and follow the onscreen instructions. When the trackers have been successfully calibrated, the screen will close, and you'll be back in the Lobby.



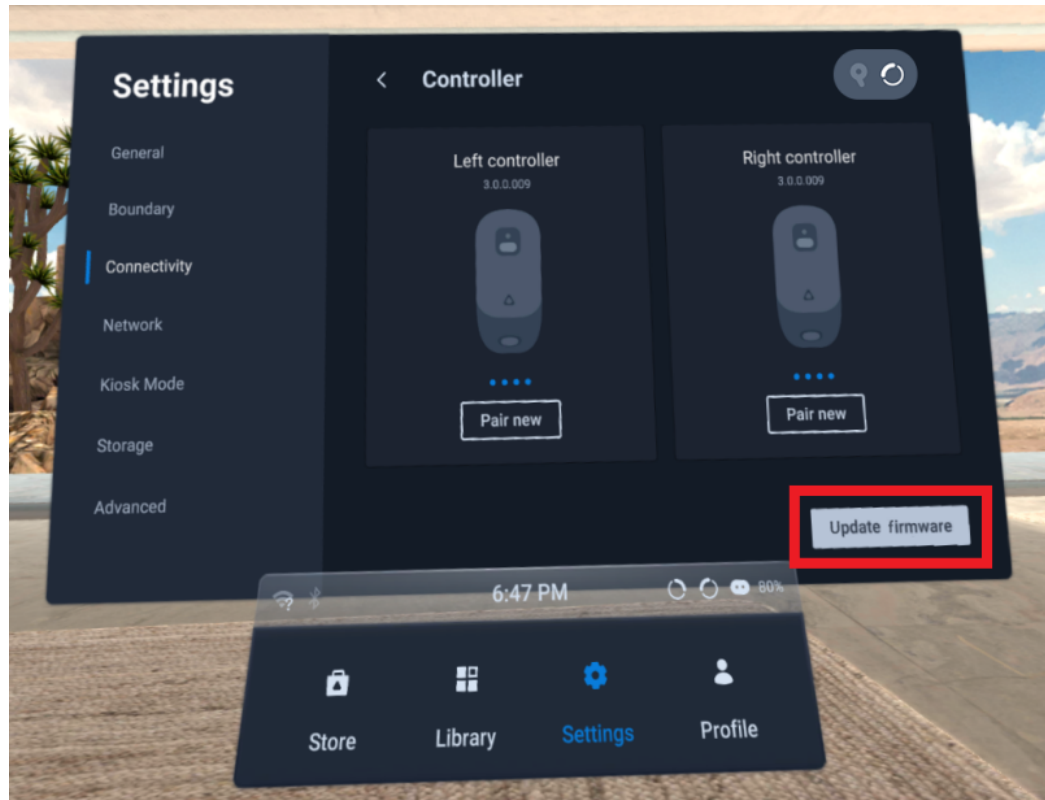
- Select **I'm not using it for hand tracking** if you intend to use one of the wrist trackers for object tracking.
- If your trackers are paired on the wrong side, you can swap them by pressing the Power and App buttons at the same time.

Updating the VIVE Wrist Tracker firmware

The firmware is updated regularly to make sure you get the best out of VIVE Wrist Tracker.

Make sure the trackers you want to update are paired with VIVE Focus 3.

1. In VIVE Focus 3, go to **Settings > Inputs > Controllers**.
2. Select **Update firmware** in the lower right to start the update.



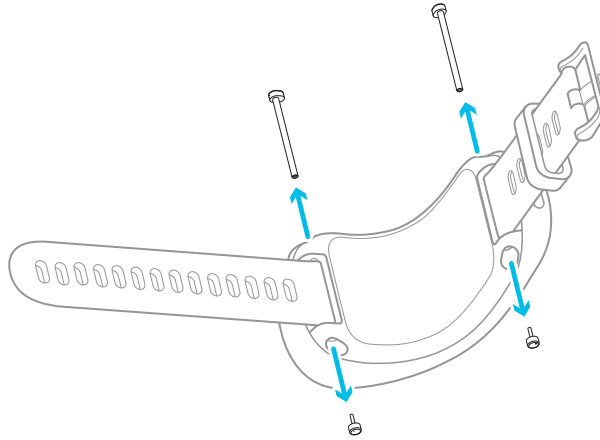
Replacing the wrist straps on VIVE Wrist Tracker

You can replace the wrist straps on VIVE Wrist Tracker according to your needs.

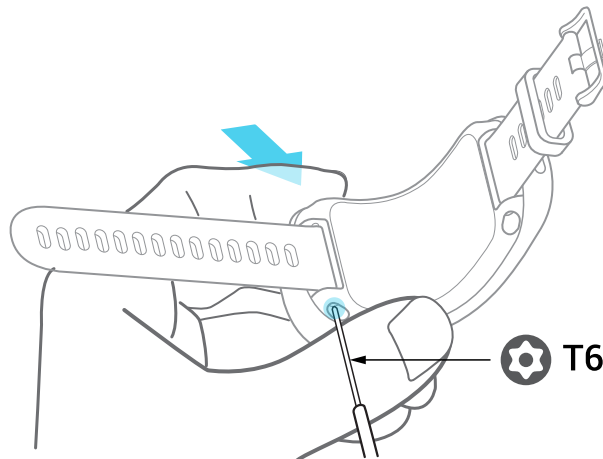
The wrist straps on VIVE Wrist Tracker can be replaced easily with most wristwatch-style detachable wrist straps. You can replace the original wrist straps if they become damaged, or to improve comfort while wearing the trackers.

This task requires a T6 screwdriver.

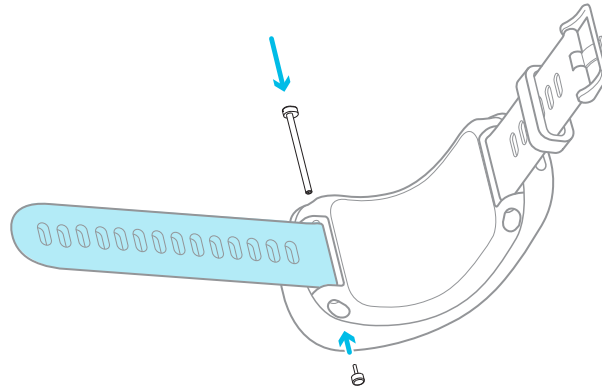
1. Remove the screws and pull out the metal pins. Discard the existing straps.



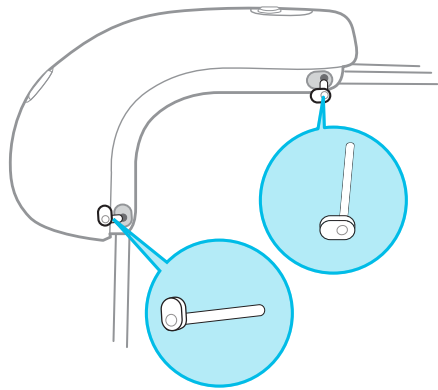
When removing the screws, hold your finger firmly against the metal pin on the opposite side for added stability.



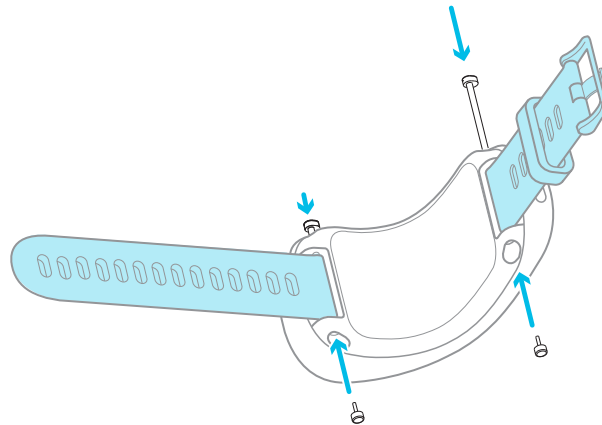
2. Put the new wrist straps on the tracker and reinsert the metal pins.



Make sure the metal pins are oriented correctly when inserting them.



3. Reattach the screws.



Solutions and FAQs

Troubleshooting VIVE Wrist Tracker

If you have trouble pairing VIVE Wrist Tracker, try the following:

- Make sure VIVE Wrist Tracker is fully charged, then power it on and try pairing it again.
- Turn VIVE Wrist Tracker off and on again, and then press and hold the Power button for 2 seconds to reactivate pairing mode.
- Make sure VIVE Wrist Tracker firmware is up to date.

Why does VIVE Wrist Tracker automatically turn off?

VIVE Wrist Tracker turns off automatically when the battery is drained or when the headset enters Standby mode.

When the headset exits Standby mode, you'll need to power on the trackers again.

Why can't I switch to the trackers in my VIVE Focus 3?

If you can't see the input type button " " in **Settings > Inputs > Controllers**, check that your VIVE Focus 3 is updated to the latest system version.


Can I use more than one tracker at the same time?

VIVE Wrist Tracker is designed to enhance the hand tracking feature on VIVE Focus 3, so you can pair two trackers just as you would pair two controllers.

VIVE Focus 3 can only pair up to two trackers at a time. You can use both as wrist trackers, or you can pair one as a wrist tracker and one as an object tracker. However, you cannot pair more than two trackers at a time, and you cannot pair a controller and a wrist tracker at the same time.

Can I use a tracker and a controller at the same time?

No, you cannot pair VIVE Wrist Tracker and a controller at the same time.

Although you cannot pair a tracker and a controller at the same time, you can pair one as a wrist tracker and the other as an object tracker. To pair trackers, go to **Settings > Inputs > Controllers** and select the input type button " " in the upper right.

Trademarks and copyrights

©2022 HTC Corporation. All Rights Reserved.

VIVE, the VIVE logo, HTC, the HTC logo, VIVEPORT, and all other HTC product and service names are trademarks and/or registered trademarks of HTC Corporation and its affiliates in the U.S. and other countries.

All other trademarks and service marks mentioned herein, including company names, product names, service names and logos, are the property of their respective owners and their use herein does not indicate an affiliation with, association with, or endorsement of or by HTC Corporation. Not all marks listed necessarily appear in this User Guide.

Screen images contained herein are simulated. HTC shall not be liable for technical or editorial errors or omissions contained herein, nor for incidental or consequential damages resulting from furnishing this material. The information is provided “as is” without warranty of any kind and is subject to change without notice. HTC also reserves the right to revise the content of this document at any time without prior notice.

No part of this document may be reproduced or transmitted in any form or by any means, electronic or mechanical, including photocopying, recording or storing in a retrieval system, or translated into any language in any form without prior written permission from HTC.